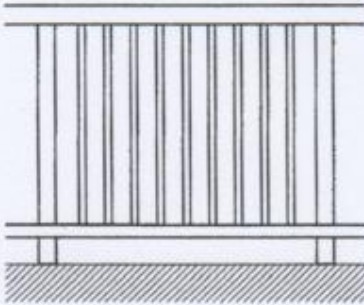
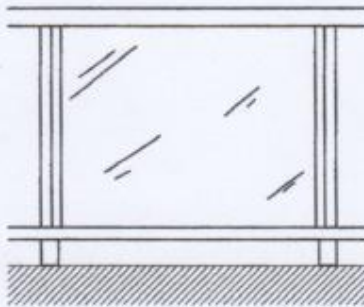
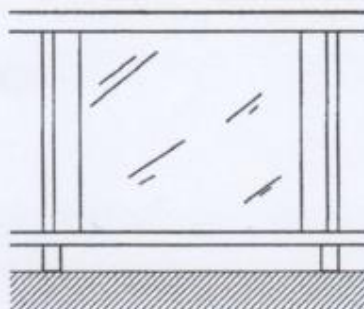


Recommendations**DOMESTIC & RESIDENTIAL BALUSTRADES**

- Maximum overall height = 1.00 metres
- Maximum post spacing = 1.30 metres (Internal Applications)
= 1.00 metres (External Applications)
- Maximum baluster opening = 125mm
- Baluster type - a variety of options available enabling the customisation of designs
- Stainless steel chemset anchor fixings to foot spigot



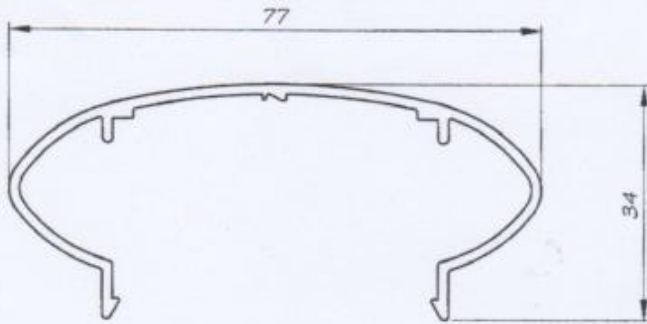
- Maximum overall height = 1.00 metres
- Maximum post spacing = 1.30 metres (Internal Applications)
= 1.00 metres (External Applications)
- 4 Sided refer to AS1288-2006 standard for correct glass selection
- Maximum opening = 125mm
- Stainless steel chemset anchor fixings to foot spigot



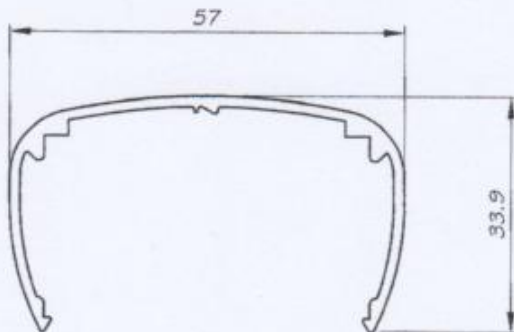
- Maximum overall height = 1.00 metres
- Maximum post spacing = 1.30 metres (Internal Applications)
= 1.00 metres (External Applications)
- 2 sided Refer to AS1288-2006 standard for correct glass selection
- Maximum Opening = 125mm
- Stainless steel chemset anchor fixings to foot spigot

NOTE - THE ABOVE CONFIGURATIONS ARE RECOMMENDATIONS ONLY AND MUST BE VERIFIED FOR THE PROPOSED APPLICATION BY A SUITABLY QUALIFIED PERSON.

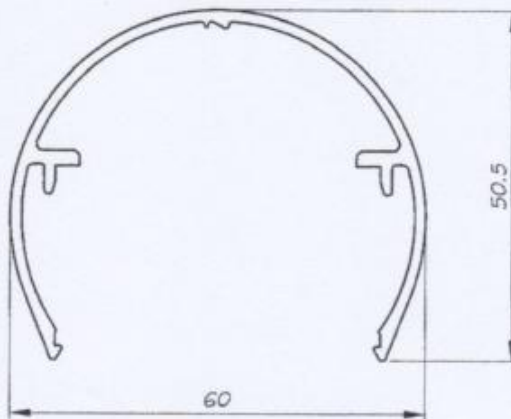
CHECK WITH LOCAL STATE REQUIREMENTS FOR MINIMUM BALUSTRADE HEIGHT.



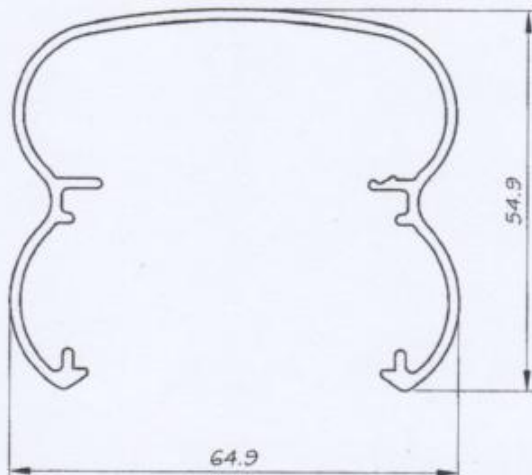
EP7986
ELLIPTICAL CAPPING RAIL
Paint Perimeter: 142
Anodised Perimeter: 296



EP2984
SMALL CAPPING RAIL
Paint Perimeter: 116
Anodised Perimeter: 234



EP2980
60 mm ROUND CAPPING RAIL
Paint Perimeter: 142
Anodised Perimeter: 315



EQ5738
COLONIAL CAPPING RAIL
Paint Perimeter: 180
Anodised Perimeter: 387